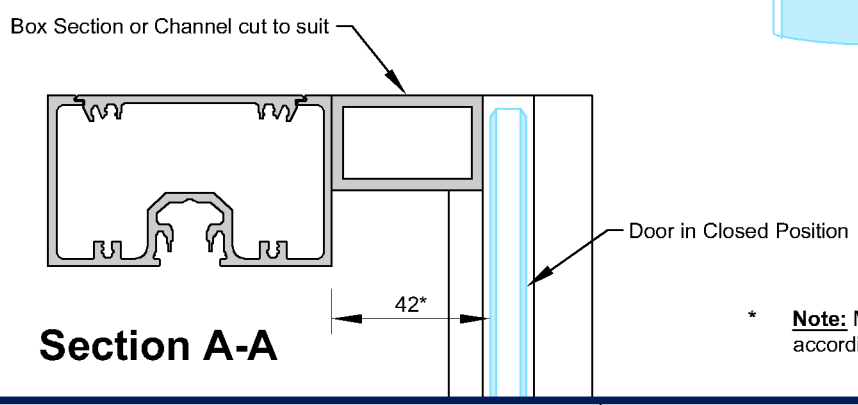


Glass Drilling Detail



Section A-A

* **Note:** Measurement varies according to glass thickness.

NOTES:

- * Do not scale
- * Unless otherwise stated all dimensions are in millimeters
- * FFL - Finished Floor Level (including carpets etc.)



TITLE
**TF340
 FRAMELESS GLASS DOOR
 ON ALUMINIUM FRAME**

SCALE
A4 @ 1 : 2

DRG. NO.
CDS-TF340 Frameless Framed